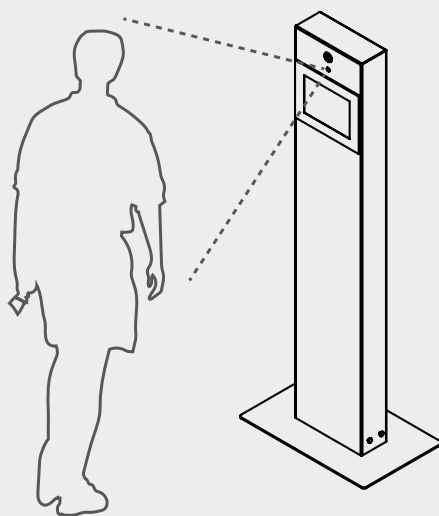




Contactless, automated measurement of body temperature to secure access areas and working premises

Being asymptomatic is elementary for meeting the requirements of occupational safety standards and infection control. The safety standards in public buildings and institutions, business premises and educational establishments can be improved enormously by checking visitors and employees for an increased body temperature before entering. The HEATDEC temperature measurement system enables automated and contactless measurement of body temperature. The complete solution measures the temperature distribution in the facial area with a thermal imaging camera. The intelligent system includes environmental factors and fluctuations specific to the time of day in the evaluation.

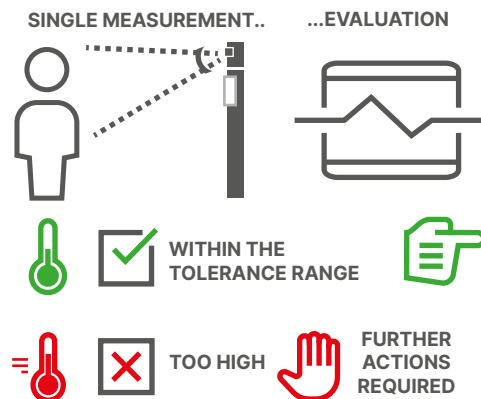
HEATDEC-Pro



- Fully automated temperature measurement
- Individual configuration options for instructions when a limit value is detected to be exceeded
- Protection of general rights of personality: no face recognition or data storage takes place
- Suitable for implementing the instructions for action in suspected cases (SARS-CoV-2 occupational safety standard)
- Suitable for checking the absence of symptoms in accordance with the general ruling of the state of NRW "Corona AVPflege"

HEATDEC: Temperature measurement by thermal imaging camera

Contactless and automated measurement of body temperature to secure access areas in retirement and working premises



EN 10.05/2020 Technical changes reserved.

Product features

FAST &
EASY

The measuring system is preconfigured and ready for immediate use

Approximately 1.000 measurements per hour are possible

Live thermal image with visual temperature output

The measuring result is acknowledged with a color and sound signal (optional).

Stand-alone unit (230 V connection)

Windows compatible

SAFE &
RELIABLE

DSGVO compliant use (no face recognition)

Excellent result quality through measurement of temperature distribution

Intelligent evaluation: Course of measurement is taken into account during evaluation

Can be firmly fixed to the floor with screws

Hygienic cleaning thanks to stainless steel housing

CUSTOMIZABLE &
INDIVIDUAL

Limit value and feedback text can be defined individually.

Each measurement situation is specified: typical scenarios are available as templates.

Ambient and daytime-dependent parameters can be configured.

Extensions via relay circuit and web service possible

Delivery and initiation on request

Language: German and English